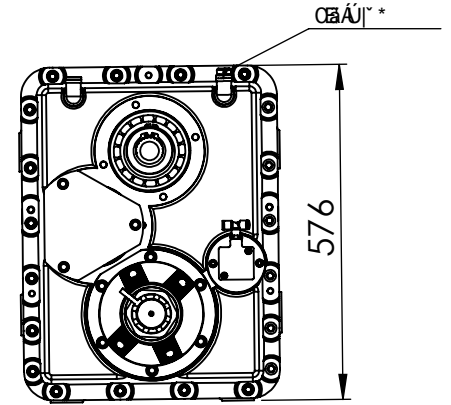
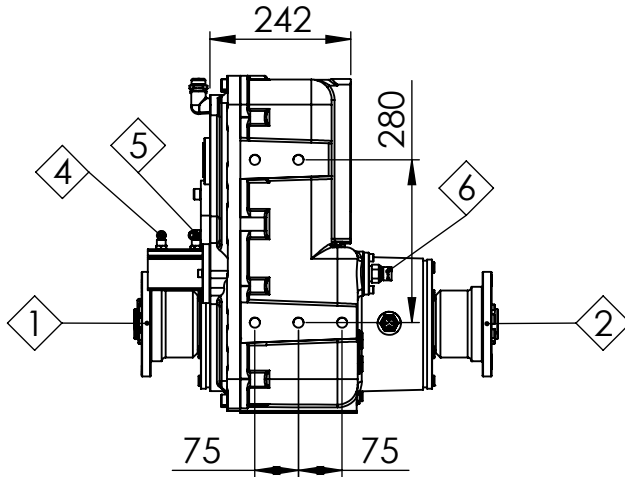
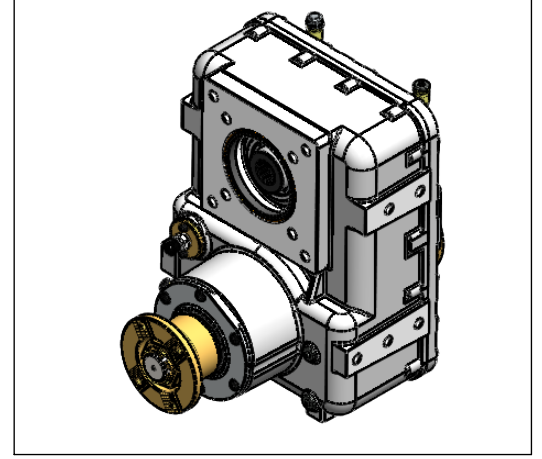
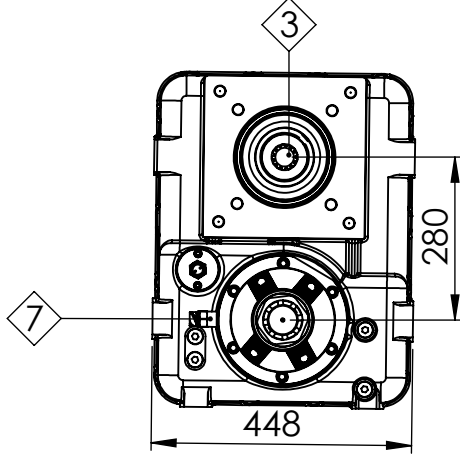


Vehicle Type	CONCRETE PUMPING TRUCKS
Gearbox Type	VERTICAL EXTRA HEAVY DUTY SPLIT SHAFT PTO

Product Code	<b>UARA.3001-1</b>
--------------	--------------------



### Product View



### Component Details

- 1 : DIN 150 (Cross Hatch)-DIN 180 (Cross Hatch)-DIN 180
- 2 : DIN 150 (Cross Hatch)-DIN 180 (Cross Hatch)-DIN 180
- 3 : PTO Output
- 4 : Air Inlet (Engaging Main Drive)

- 5 : Air Inlet (Engaging PTO Output)
- 6 : Engage/Disengage Sensor
- 7 : RPM Counter

### Technical Details

Çi İdi h	AU "Dck Yf _K "	Max Torque LB-FT / KGM	İnernal Ratio	Mounting Type	Control Type
1 & 2		27485 / 3800	1/1	Split Shaft	Pneumatic (Air-Shift)
3	350		1/1.46	<b>Weight</b>	<b>Sense of Rotation</b>
4				150 KG / 330 LBS	Same as Input



**Ofis**  
 Tel. +90 312 354 05 39  
 Fax +90 312 354 34 59  
 7. Sokak No: 9  
 Ostim / ANKARA  
 e-mail: [info@kozmaçsın.com.tr](mailto:info@kozmaçsın.com.tr)

**Fabrika**  
 Tel. +90 312 267 39 71  
 Fax +90 312 267 38 72  
 AOS. 1. OSB. Erkunt Cad. No: 6  
 Sincan / ANKARA  
 Website: [www.kozmaçsın.net](http://www.kozmaçsın.net)